

# 客户图

## NOTES:

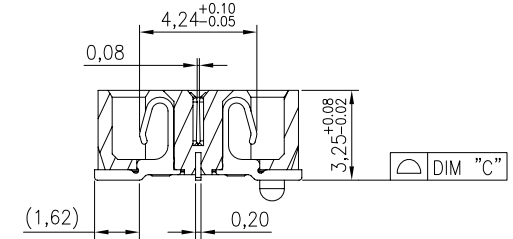
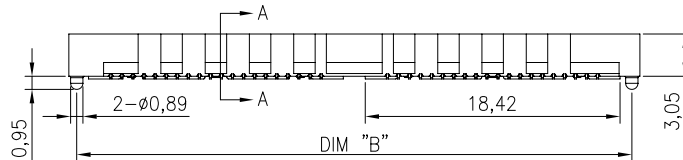
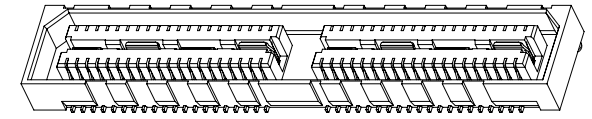
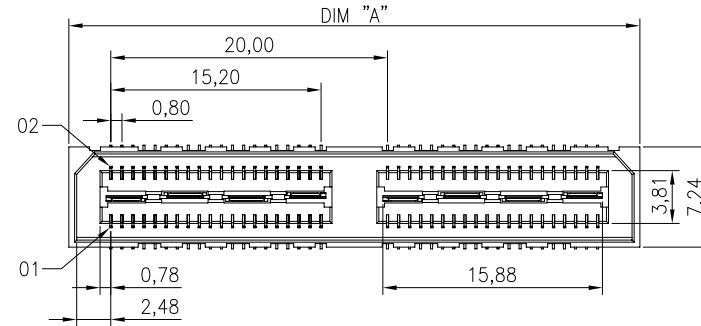
1. FINISH:
  - 1.1 HOUSING: LCP BLACK,UL94V-0.
  - 1.2 CONTACT: PHOSPHOR BRONZE, GOLD 3u" PLATED IN CONTACT AREA, 80u" MIN MATTE TIN PLATED IN SOLDER AREA, 50u" MIN NICKEL UNDERPLATED OVERALL.
2. ELECTRICAL:
  - 2.1 CURRENT RATING:
    - CONTACT: 2 A PER PIN(2 PINS POWERED).
    - GROUND PLANE: 23 A PER GROUND PLANE (1 GROUND PLANE POWERED).
  - 2.2 VOLTAGE RATING: 225V AC MATED WITH 66C9-M.
  - 2.3 OPERATION TEMPERATURE: -55°C TO +125°C.
3. PART NO:

66C6-F XXX S2 032 R 01

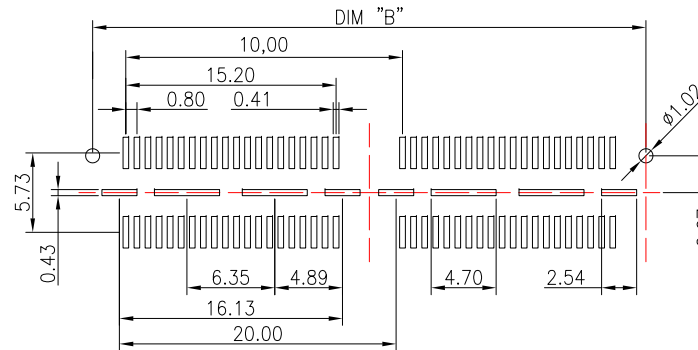
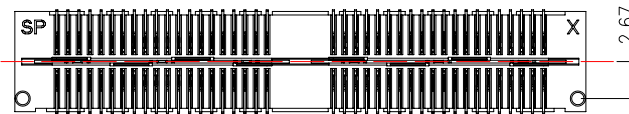
Pin数码	端子电镀:	塑胶高度:	包装方式:
040=2*20PIN	S2=3u" Gold/Tin	032=3.25mm	R=TAPE REEL
~	S4=10u" Gold/Tin		
200=2*100PIN	S6=30u" Gold/Tin		

TABLE1:

No. OF PIN	A	B	C
040=2*20PIN	21.27	20.13	0.10
080=2*40PIN	41.28	40.13	0.10
120=2*60PIN	61.28	60.13	0.15
160=2*80PIN	81.28	80.14	0.15
200=2*100PIN	101.28	100.14	0.15



SECTION "A-A"  
SCALE 2:1



RECOMMENDED PCB LAYOUT  
TOLERANCE ±0.05

		OPERATION		DRAW		WLY		2019.08.24	
		X.X	±0.30	DESIGN	Jensen			2019.08.24	
		X.XX	±0.20	CHECK	Jack			2019.08.24	
		X.XXX	±0.10	APPROVE	Andy			2019.08.22	
		Angle	±3°						
		DIM.	TOL	UNIT	mm	SCALE	1:1		

<b>SOLEPIN</b> 东莞市硕品电子有限公司 Professional connector manufacturer DONGGUAN SOLEPIN ELECTRONICS CO., LTD.				SIZE	A4	PART NO.	66C6-FXXXS2032R01
				SHEET	1/1	TITLE:	0.80mm DOUBLE ROW HS SOCKET ASSEMBLY
REV	DATE	MODIFICATION DESCRIPTION	CHANGE APPROVE	PROJ.	DRAW NO.	SP-537	

# 客户图

## NOTES:

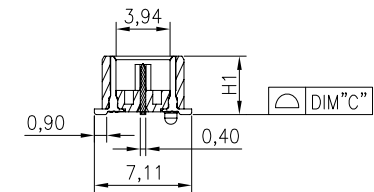
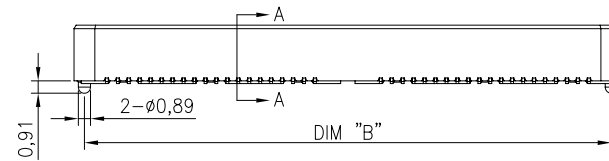
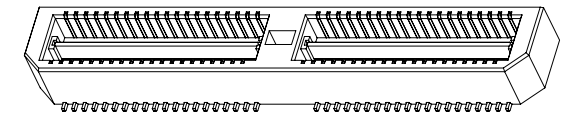
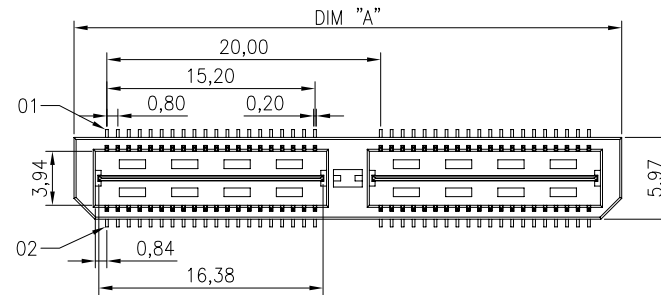
1. FINISH:
  - 1.1 HOUSING: LCP BLACK,UL94V-0.
  - 1.2 CONTACT: PHOSPHOR BRONZE, GOLD 3u" PLATED IN CONTACT AREA, 80u" MIN MATTE TIN PLATED IN SOLDER AREA, 50u" MIN NICKEL UNDERPLATED OVERALL.
2. ELECTRICAL:
  - 2.1 CURRENT RATING:
    - CONTACT: 2 A PER PIN(2 PINS POWERED).
    - GROUND PLANE: 23 A PER GROUND PLANE (1 GROUND PLANE POWERED).
  - 2.2 VOLTAGE RATING: 225V AC MATED WITH 66C9-F.
  - 2.3 OPERATION TEMPERATURE:-55°C TO +125°C.
- 3.PART NO:

66C6-M XXX S2 XXX R 01

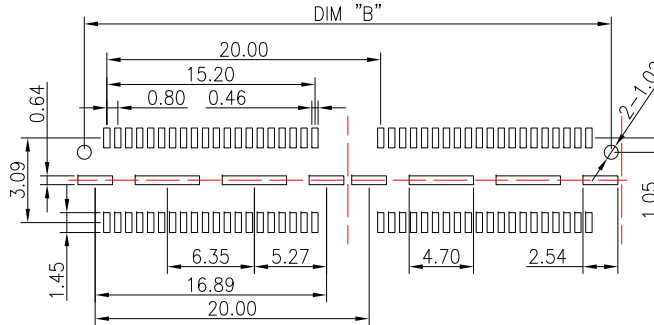
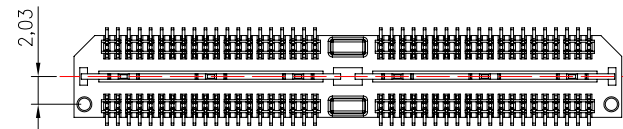
Pin 数码	端子电镀:	塑胶高度:	包装方式:
040=2*20PIN	S2=3u" Gold/Tin	042=4.26mm ("H1")	R=TAPE REEL
~	S4=10u" Gold/Tin	072=7.26mm ("H1")	
200=2*100PIN	S6=30u" Gold/Tin	102=10.26mm ("H1")	
		132=13.26mm ("H1")	
		152=15.26mm ("H1")	
		182=18.26mm ("H1")	
		242=24.26mm ("H1")	

TABLE1:

No. OF PIN	A	B	C
040=2*20PIN	20.00	18.48	0.10
080=2*40PIN	40.01	38.48	0.10
120=2*60PIN	60.01	58.48	0.10
160=2*80PIN	80.01	78.49	0.15
200=2*100PIN	100.01	98.49	0.15



SECTION "A-A"



RECOMMENDED PCB LAYOUT  
TOLERANCE±0.05

HEIGHT WITH "66C9-F"	H1
5.00	4.26
8.00	7.26
11.00	10.26
14.00	13.26
16.00	15.26
19.00	18.26
25.00	24.26

				OPERATION		DRAW		WLY		2019.08.24		<b>SOLEPIN</b> 东莞市硕品电子有限公司 Professional connector manufacturer DONGGUAN SOLEPIN ELECTRONICS CO., LTD.							
				X.X	±0.30	DESIGN		Jensen		2019.08.24						SIZE	A4	PART NO.	66C6-MXXXS2XXXR01
				X.XX	±0.20	CHECK		Jack		2019.08.24						SHEET	1/1	TITLE:	0.80mm DOUBLE ROW BTB PLUG
AO		NEW		X.XXX	±0.10	APPROVE		Andy		2019.08.22						PROJ.	☉	DRAW NO.	SP-538
REV	DATE	MODIFICATION DESCRIPTION		CHANGE	APPROVE	DIM.	TOL	UNIT	mm	SCALE	1:1								