

成品图

NOTES:

1. FINISH:

- 1.1 HOUSING: VECTRA E130i LCP BLACK, UL94V-0.
- 1.2 CONTACT: COPPER ALLOY, GOLD (SEE P/N) PLATED IN CONTACT AREA, 50u" MIN. NICKEL UNDERPLATED OVERALL.

2. ELECTRICAL:

- 2.1 CURRENT RATING: 30A/AC POWER PIN (3SET), 100A/DC POWER PIN (2SET).
- 2.2 VOLTAGE RATING: 350V AC POWER PIN, 100V DC POWER PIN.
- 2.3 CONTACT RESISTANCE: 50mΩ MAX
- 2.4 INSULATION RESISTANCE: 100MΩ MIN.

3 ELECTRIC CONDUCTIVITY:85%.

4. OPERATION TEMPERATURE:-40°C TO +125°C.

5. M5 RIVET NUT AND DC POWER SUPPLY RETENTION FORCE ≥12KG

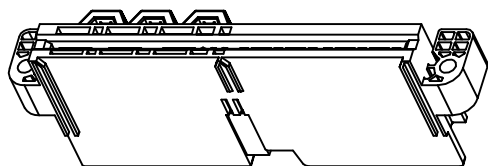
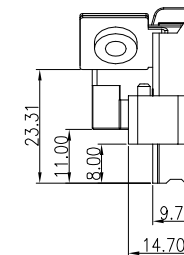
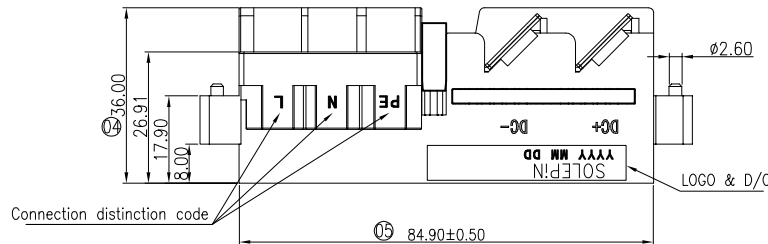
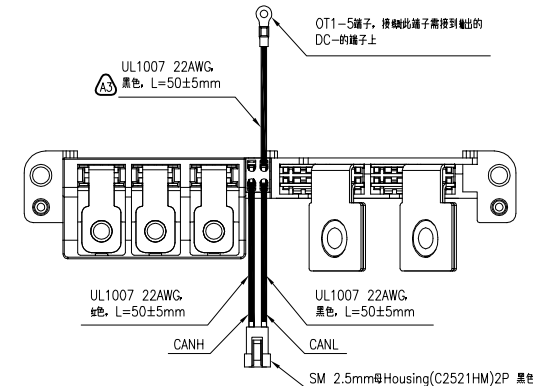
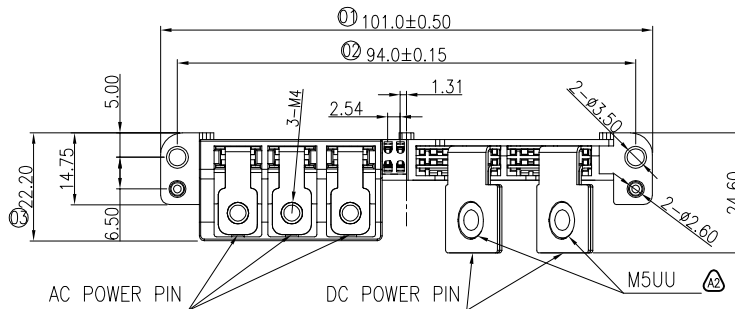
6. M5 RIVET NUT ROTATION TORQUE ≥ 24KG

7. THE DESTRUCTIVE FORCE ON THE TOP OF THE PLASTIC SHELL IS ≥25KG

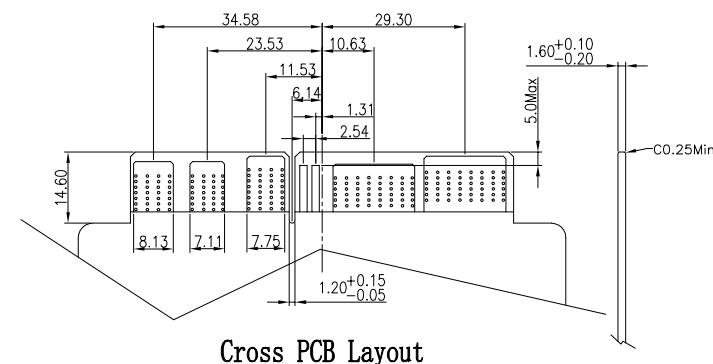
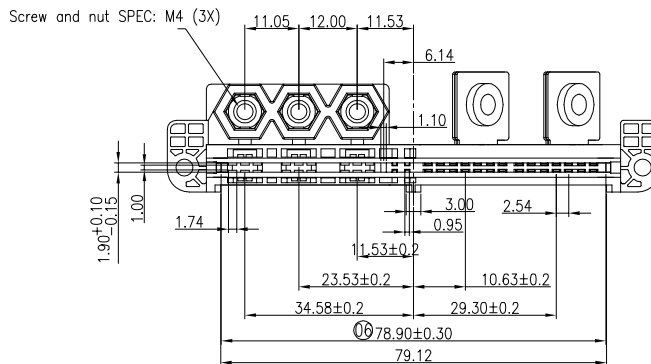
8. DURABILITY MATED AND 50 TIMES.

62G1-F 014 G2 360 C 01

Pin 数码 端子电镀: 塑胶高度: 包装方式:
014=14PIN G2=3u" Gold 360=36.0mm C=TRAY



3D VIEW



Cross PCB Layout

| | | | | | | | | | | | | |
|-----|------------|--------------------------|---------|---------|-------------|---------|--------|------------|----------------------------------------------------------------------------------------------------------|-------|----------|-----------------------|
| A5 | 2022.11.24 | 塑胶DC电源P增加卡槽 | WLY | | OPERATION | DRAW | WLY | 2022.11.24 | SOLEPiN 东莞市硕品电子有限公司 Professional connector manufacturer DONGGUAN SOLEPIN ELECTRONICS CO., LTD. | | | |
| A4 | 2022.10.24 | 变更塑胶 VECTRA E130i | WLY | | X.X ±0.40 | DESIGN | JENSEN | 2022.11.24 | | | | |
| A3 | 2022.04.08 | OT1-5线材由黄绿相间变更为黑色 | WLY | | X.XX ±0.25 | CHECK | JACK | 2022.11.24 | SIZE | A4 | PART NO. | 62G1-F014G2360BC01 |
| AO | | NEW | CHILLES | ANDY | X.XXX ±0.15 | APPROVE | ANDY | 2022.11.24 | SHEET | 1/1 | TITLE: | POWERFEMALE-CONNECTOR |
| REV | DATE | MODIFICATION DESCRIPTION | CHANGE | APPROVE | Angle ±3° | UNIT | mm | SCALE | 1:1 | PROJ. | DRAW NO. | SP-373 |