

客户图

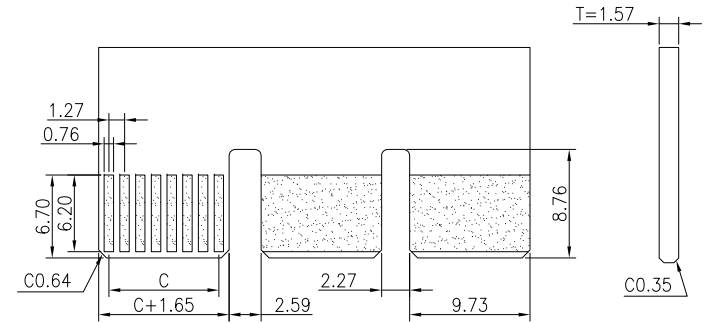
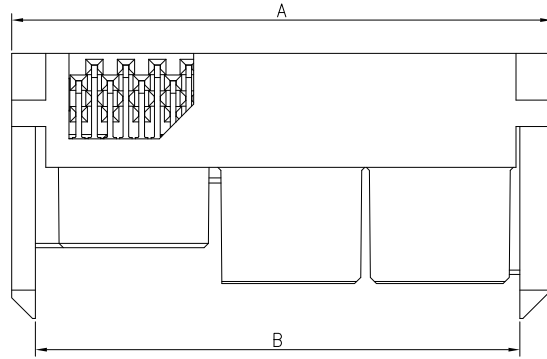
NOTES:

1. FINISH:
 - 1.1 HOUSING: LCP BLACK,UL94V-0.
 - 1.2 SIGNAL CONTACT: BARSS.
 - 1.3 POWER CONTACT: COPPER ALLOY.
GOLD (SEE P/N) PLATED IN CONTACT AREA,
MATTE TIN PLATED IN SOLDER AREA,
50u" MIN. NICKEL UNDERPLATED OVERALL.
2. ELECTRICAL:
 - 2.1 OPERATION TEMPERATURE: -55°C TO +125°C.
3. ORDER INFORMATION:

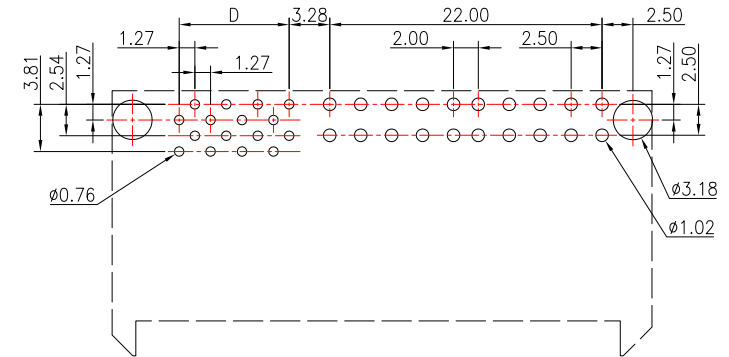
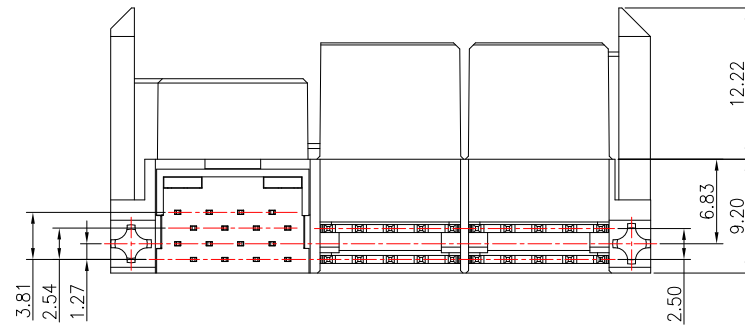
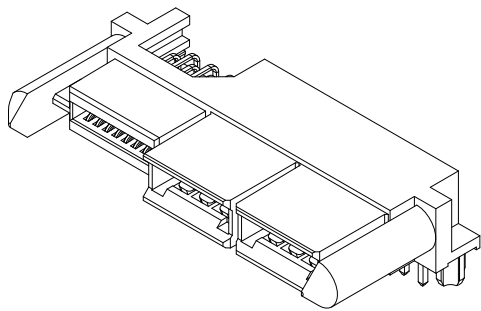
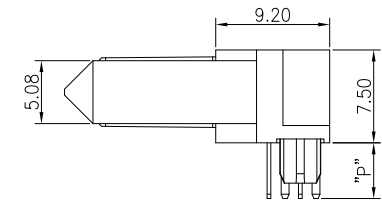
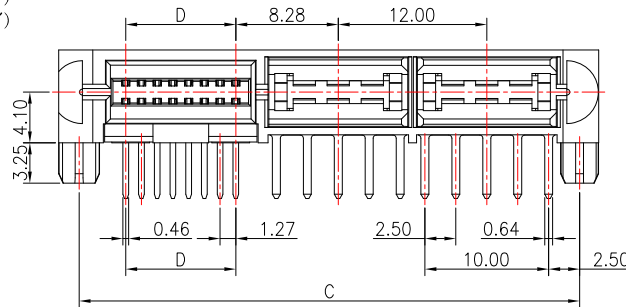
62F4-F XX XXX S4 075 C 0X

流水码:	01=2.90("P")				
电源Pin数	信号Pin数	端子电镀:	塑胶高度:	流水码:	02=3.60("P")
02=2*1PIN	012=2*06PIN	S4=10u" Gold/Tin	075=7.50mm	03=4.50("P")	
~	~	S6=30u" Gold/Tin			
14=2*7PIN	040=2*20PIN				

流水码	"P" 焊脚长度	PCB 厚度
01	2.90	1.57
02	3.60	2.36
03	4.50	3.18



RECOMMENDED EDGE CARD LAYOUT
EDGE CARD THICKNESS: 1.57±0.15



RECOMMENDED PCB LAYOUT
PCB BOARD TOLERANCE ±0.05

REV	DATE	MODIFICATION DESCRIPTION	CHANGE	APPROVE	OPERATION	DRAW	WLY	SCALE	UNIT	mm	SCALE	1:1	PROJ.	PROJ.	PROJ.	PROJ.	PROJ.
AO		NEW			X.X ±0.40	DESIGN	Jensen	2021.09.23									
					X.XX ±0.25	CHECK	Jack	2021.09.23									
					X.XXX ±0.15	APPROVE	Andy	2021.09.23									
					Angle ±3°												
					DIM. TOL												

SOLEPIN 东莞市硕品电子有限公司
Professional connector manufacturer DONGGUAN SOLEPIN ELECTRONICS CO., LTD.

SIZE A4 PART NO. 62F4-FXXXXXS4075C0X
SHEET 1/2 TITLE: 电源+信号连接器 母座 带导柱 带定位柱
PROJ. DRAW NO. SP-625

客户图

No. OF PIN	02=2*1 POWER PIN				02=2*2 POWER PIN				02=2*3 POWER PIN				02=2*4 POWER PIN			
	A	B	C	D	A	B	C	D	A	B	C	D	A	B	C	D
012=2x06PIN	29.09	24.60	11.07	6.35	41.09	36.60	37.90	6.35	53.09	48.60	49.90	6.35	65.09	60.60	61.90	6.35
016=2x08PIN	31.63	27.14	17.42	8.89	43.63	39.14	40.44	8.89	55.63	51.14	52.44	8.89	67.63	63.14	64.44	8.89
020=2x10PIN	34.17	29.68	23.77	11.43	46.17	41.68	42.98	11.43	57.17	53.68	54.98	11.43	70.17	65.68	66.98	11.43
024=2x12PIN	36.71	32.22	30.12	13.97	48.71	44.22	45.52	13.97	60.71	56.22	57.52	13.97	72.71	68.22	69.52	13.97
028=2x14PIN	39.25	34.76	36.47	16.51	51.25	46.76	48.06	16.51	63.25	58.76	60.06	16.51	75.25	70.76	72.06	16.51
032=2x16PIN	41.79	37.30	42.82	19.05	53.79	49.30	50.60	19.05	65.79	61.30	62.60	19.05	77.79	73.30	74.60	19.05
036=2x18PIN	44.33	39.84	49.17	21.59	56.33	51.84	53.14	21.59	68.33	63.84	65.14	21.59	80.33	75.84	77.14	21.59
040=2x20PIN	46.87	42.38	55.52	24.13	58.87	54.38	55.68	24.13	70.87	66.38	67.68	24.13	82.87	78.38	79.68	24.13

No. OF PIN	02=2*5 POWER PIN				02=2*6 POWER PIN				02=2*7 POWER PIN			
	A	B	C	D	A	B	C	D	A	B	C	D
012=2x06PIN	77.09	72.60	73.90	6.35	89.09	84.60	85.90	6.35	101.09	96.60	97.90	6.35
016=2x08PIN	79.63	75.14	76.44	8.89	91.63	87.14	88.44	8.89	103.63	99.14	100.44	8.89
020=2x10PIN	82.17	77.68	78.97	11.43	94.17	89.68	90.98	11.43	106.17	101.68	102.98	11.43
024=2x12PIN	84.71	80.22	81.52	13.97	96.71	92.22	93.52	13.97	108.71	104.22	105.52	13.97
028=2x14PIN	87.25	82.76	84.06	16.51	99.25	94.76	96.06	16.51	111.25	106.76	108.06	16.51
032=2x16PIN	89.79	85.30	86.60	19.05	101.79	97.30	98.60	19.05	113.79	109.30	110.60	19.05
036=2x18PIN	92.33	87.84	89.14	21.59	104.33	99.84	101.14	21.59	116.33	111.84	113.14	21.59
040=2x20PIN	94.87	90.38	91.68	24.13	106.87	102.38	106.68	24.13	118.87	114.38	115.68	24.13

						OPERATION	DRAW	WLY	2021.09.23	SOLEPIN 东莞市硕品电子有限公司 Professional connector manufacturer DONGGUAN SOLEPIN ELECTRONICS CO., LTD.				
						X.X ±0.40	DESIGN	Jensen	2021.09.23					
						X.XX ±0.25	CHECK	Jack	2021.09.23					
						X.XXX ±0.15	APPROVE	Andy	2021.09.23					
AO		NEW				Angle ±3°				SHEET	2/2	TITLE:	电源+信号连接器 母座 带导柱 带定位柱	
REV	DATE	MODIFICATION DESCRIPTION	CHANGE	APPROVE		DIM. TOL	UNIT	mm	SCALE	1:1	PROJ.		DRAW NO.	SP-625

客户图

NOTES:

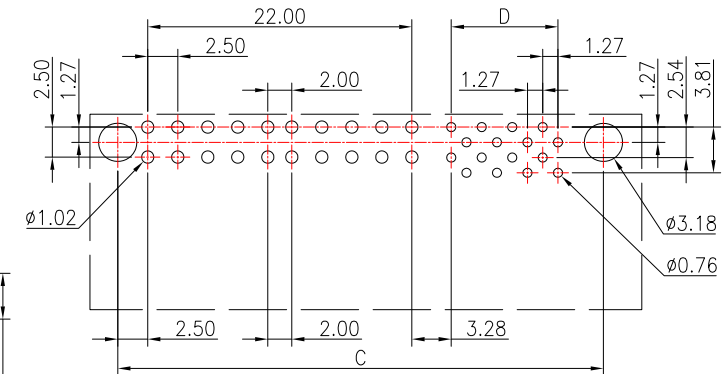
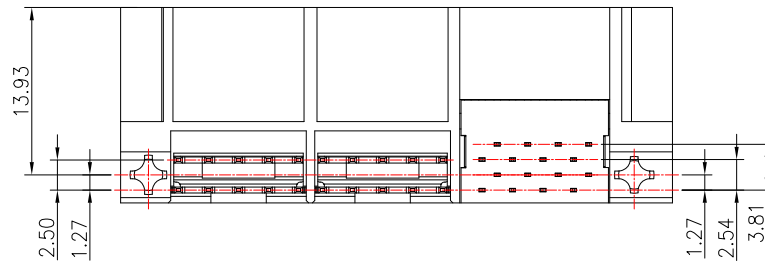
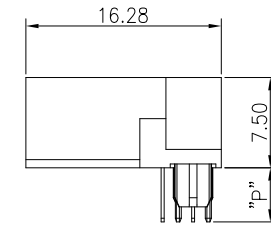
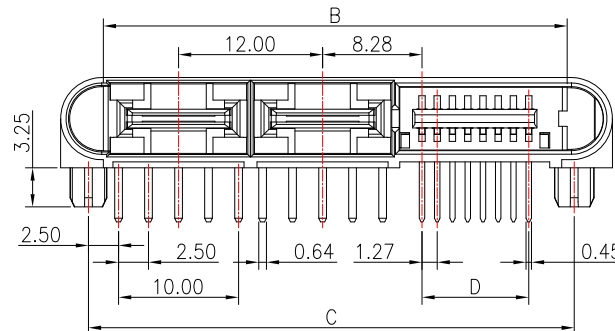
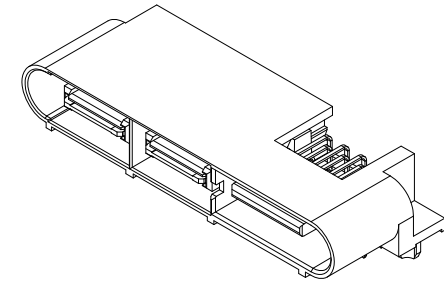
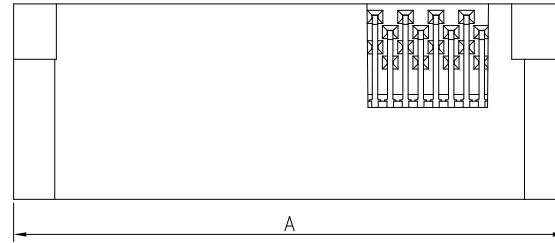
1. FINISH:
 - 1.1 HOUSING: LCP BLACK,UL94V-0.
 - 1.2 SIGNAL CONTACT: BARSS.
 - 1.3 POWER CONTACT: COPPER ALLOY.
GOLD (SEE P/N) PLATED IN CONTACT AREA,
MATTE TIN PLATED IN SOLDER AREA,
50u" MIN. NICKEL UNDERPLATED OVERALL.
2. ELECTRICAL:
 - 2.1 OPERATION TEMPERATURE: -55°C TO +125°C.
3. ORDER INFORMATION:

62F4-M XX XXX S4 075 C 0X

流水码:	01=2.90("P")
02=2*1PIN	02=3.60("P")
~	03=4.50("P")
14=2*7PIN	

信号Pin数	端子电镀:	塑胶高度:
012=2*06PIN	S4=10u" Gold/Tin	075=7.50mm
~	S6=30u" Gold/Tin	
040=2*20PIN		

流水码	"P" 焊脚长度	PCB 厚度
01	2.90	1.57
02	3.60	2.36
03	4.50	3.18



RECOMMENDED PCB LAYOUT
PCB BOARD TOLERANCE±0.05

					OPERATION	DRAW	WLY	2021.09.23	SOLEPIN 东莞市硕品电子有限公司 Professional connector manufacturer DONGGUAN SOLEPIN ELECTRONICS CO., LTD.					
					X.X ±0.40	DESIGN	Jensen	2021.09.23						
					X.XX ±0.25	CHECK	Jack	2021.09.23						
					X.XXX ±0.15	APPROVE	Andy	2021.09.23						
AO		NEW			Angle ±3°				SIZE	A4	PART NO.	62F4-MXXXXXS4075C0X		
REV	DATE	MODIFICATION DESCRIPTION	CHANGE	APPROVE	DIM.	TOL	UNIT	mm	SCALE	1:1	SHEET	1/2	TITLE:	电源+信号连接器 公头 带导柱 带定位柱
									PROJ.	SP-628	DRAW NO.			

客户图

No. OF PIN	02=2*1 POWER PIN				04=2*2 POWER PIN				06=2*3 POWER PIN				08=2*4 POWER PIN			
	A	B	C	D	A	B	C	D	A	B	C	D	A	B	C	D
012=2x06PIN	31.43	24.09	25.92	6.35	43.43	36.09	37.92	6.35	55.43	48.09	49.92	6.35	67.43	60.09	61.92	6.35
016=2x08PIN	33.97	26.63	28.46	8.89	45.97	38.63	40.46	8.89	57.97	50.63	52.46	8.89	69.97	62.63	64.46	8.89
020=2x10PIN	36.51	29.17	31.00	11.43	48.51	41.17	43.00	11.43	60.51	53.17	55.00	11.43	72.51	65.17	67.00	11.43
024=2x12PIN	39.05	31.71	33.54	13.97	51.05	43.71	45.54	13.97	63.05	55.71	57.54	13.97	75.05	67.71	69.54	13.97
028=2x14PIN	41.59	34.25	36.08	16.51	53.59	46.25	48.08	16.51	65.59	58.25	60.08	16.51	77.59	70.25	72.08	16.51
032=2x16PIN	44.13	36.79	38.62	19.05	56.13	48.79	50.62	19.05	68.13	60.79	62.62	19.05	80.13	72.79	74.62	19.05
036=2x18PIN	46.67	39.33	41.16	21.59	58.67	51.33	53.16	21.59	70.67	63.33	65.16	21.59	82.67	75.33	77.16	21.59
040=2x20PIN	49.21	41.87	43.70	24.13	61.21	53.87	55.70	24.13	73.21	65.87	67.70	24.13	85.21	77.87	79.70	24.13

No. OF PIN	10=2*5 POWER PIN				12=2*6 POWER PIN				14=2*7 POWER PIN			
	A	B	C	D	A	B	C	D	A	B	C	D
012=2x06PIN	79.43	72.09	73.92	6.35	91.43	84.09	85.92	6.35	103.43	96.09	97.92	6.35
016=2x08PIN	81.97	74.63	76.46	8.89	93.97	86.63	88.46	8.89	105.97	98.63	100.46	8.89
020=2x10PIN	84.51	77.17	79.00	11.43	96.51	89.17	91.00	11.43	108.51	101.17	103.00	11.43
024=2x12PIN	87.05	79.71	81.54	13.97	99.05	91.71	93.54	13.97	111.05	103.71	105.54	13.97
028=2x14PIN	89.59	82.25	84.08	16.51	101.59	94.25	96.08	16.51	113.59	106.25	108.08	16.51
032=2x16PIN	92.13	84.79	86.62	19.05	104.13	96.79	98.62	19.05	116.13	108.79	110.62	19.05
036=2x18PIN	94.67	87.33	89.16	21.59	106.67	99.33	101.16	21.59	118.67	111.33	113.16	21.59
040=2x20PIN	97.21	89.87	91.70	24.13	109.21	101.87	103.70	24.13	121.21	113.87	115.70	24.13

						OPERATION	DRAW	WLY	2021.09.23	SOLEPIN 东莞市硕品电子有限公司 Professional connector manufacturer DONGGUAN SOLEPIN ELECTRONICS CO., LTD.			
						X.X ±0.40	DESIGN	Jensen	2021.09.23				
						X.XX ±0.25	CHECK	Jack	2021.09.23	SIZE	A4	PART NO.	62F4-MXXXXXS4075C0X
AO		NEW				X.XXX ±0.15	APPROVE	Andy	2021.09.23	SHEET	2/2	TITLE:	电源+信号连接器 公头 带导柱 带定位柱
REV	DATE	MODIFICATION DESCRIPTION	CHANGE	APPROVE		Angle ±3°	UNIT	mm	SCALE	1:1	PROJ.	DRAW NO.	SP-628
						DIM. TOL							

客户图

No. OF PIN	02=2*1 POWER PIN		
	A	B	C
012=2x06PIN	29.09	11.07	6.35
016=2x08PIN	31.63	17.42	8.89
020=2x10PIN	34.17	23.77	11.43
024=2x12PIN	36.71	30.12	13.97
028=2x14PIN	39.25	36.47	16.51
032=2x16PIN	41.79	42.82	19.05
036=2x18PIN	44.33	49.17	21.59
040=2x20PIN	46.87	55.52	24.13

02=2*2 POWER PIN		
A	B	C
41.09	37.90	6.35
43.63	40.44	8.89
46.17	42.98	11.43
48.71	45.52	13.97
51.25	48.06	16.51
53.79	50.60	19.05
56.33	53.14	21.59
58.87	55.68	24.13

02=2*3 POWER PIN		
A	B	C
53.09	49.90	6.35
55.63	52.44	8.89
57.17	54.98	11.43
60.71	57.52	13.97
63.25	60.06	16.51
65.79	62.60	19.05
68.33	65.14	21.59
70.87	67.68	24.13

02=2*4 POWER PIN		
A	B	C
65.09	61.90	6.35
67.63	64.44	8.89
70.17	66.98	11.43
72.71	69.52	13.97
75.25	72.06	16.51
77.79	74.60	19.05
80.33	77.14	21.59
82.87	79.68	24.13

No. OF PIN	02=2*5 POWER PIN		
	A	B	C
012=2x06PIN	77.09	73.90	6.35
016=2x08PIN	79.63	76.44	8.89
020=2x10PIN	82.17	78.97	11.43
024=2x12PIN	84.71	81.52	13.97
028=2x14PIN	87.25	84.06	16.51
032=2x16PIN	89.79	86.60	19.05
036=2x18PIN	92.33	89.14	21.59
040=2x20PIN	94.87	91.68	24.13

02=2*6 POWER PIN		
A	B	C
89.09	85.90	6.35
91.63	88.44	8.89
94.17	90.98	11.43
96.71	93.52	13.97
99.25	96.06	16.51
101.79	98.60	19.05
104.33	101.14	21.59
106.87	106.68	24.13

02=2*7 POWER PIN		
A	B	C
101.09	97.90	6.35
103.63	100.44	8.89
106.17	102.98	11.43
108.71	105.52	13.97
111.25	108.06	16.51
113.79	110.60	19.05
116.33	113.14	21.59
118.87	115.68	24.13

					OPERATION	DRAW	WLY	2021.09.23	SOLEPIN 东莞市硕品电子有限公司 Professional connector manufacturer DONGGUAN SOLEPIN ELECTRONICS CO., LTD.							
					X.X ±0.40	DESIGN	Jensen	2021.09.23								
					X.XX ±0.25	CHECK	Jack	2021.09.23					SIZE	A4	PART NO.	62F5-FXXXXXS4075C0X
AO		NEW			X.XXX ±0.15	APPROVE	Andy	2021.09.23					SHEET	2/2	TITLE:	电源+信号连接器 母座 带定位柱
REV	DATE	MODIFICATION DESCRIPTION	CHANGE	APPROVE	Angle ±3°	DIM.	TOL	UNIT	mm	SCALE	1:1	PROJ.		DRAW NO.	SP-626	

客户图

No. OF PIN	02=2*1 POWER PIN		
	A	B	C
012=2x06PIN	31.43	25.92	6.35
016=2x08PIN	33.97	28.46	8.89
020=2x10PIN	36.51	31.00	11.43
024=2x12PIN	39.05	33.54	13.97
028=2x14PIN	41.59	36.08	16.51
032=2x16PIN	44.13	38.62	19.05
036=2x18PIN	46.67	41.16	21.59
040=2x20PIN	49.21	43.70	24.13

04=2*2 POWER PIN		
A	B	C
43.43	37.92	6.35
45.97	40.46	8.89
48.51	43.00	11.43
51.05	45.54	13.97
53.59	48.08	16.51
56.13	50.62	19.05
58.67	53.16	21.59
61.21	55.70	24.13

06=2*3 POWER PIN		
A	B	C
55.43	49.92	6.35
57.97	52.46	8.89
60.51	55.00	11.43
63.05	57.54	13.97
65.59	60.08	16.51
68.13	62.62	19.05
70.67	65.16	21.59
73.21	37.70	24.13

08=2*4 POWER PIN		
A	B	C
67.43	61.92	6.35
69.97	64.46	8.89
72.51	67.00	11.43
75.05	69.54	13.97
77.59	72.08	16.51
80.13	74.62	19.05
82.67	77.16	21.59
85.21	79.70	24.13

No. OF PIN	10=2*5 POWER PIN		
	A	B	C
012=2x06PIN	79.43	73.92	6.35
016=2x08PIN	81.97	76.46	8.89
020=2x10PIN	84.51	79.00	11.43
024=2x12PIN	87.05	81.54	13.97
028=2x14PIN	89.59	84.08	16.51
032=2x16PIN	92.13	86.62	19.05
036=2x18PIN	94.67	89.16	21.59
040=2x20PIN	97.21	91.70	24.13

12=2*6 POWER PIN		
A	B	C
91.43	85.92	6.35
93.97	88.46	8.89
96.51	91.00	11.43
99.05	93.54	13.97
101.59	96.08	16.51
104.13	98.62	19.05
106.67	101.16	21.59
109.21	103.70	24.13

14=2*7 POWER PIN		
A	B	C
103.43	97.92	6.35
105.97	100.46	8.89
108.51	103.00	11.43
111.05	105.54	13.97
113.59	108.08	16.51
116.13	110.62	19.05
118.67	113.16	21.59
121.21	115.70	24.13

					OPERATION	DRAW	WLY	2021.09.23	SOLEPIN 东莞市硕品电子有限公司 Professional connector manufacturer DONGGUAN SOLEPIN ELECTRONICS CO., LTD.							
					X.X ±0.40	DESIGN	Jensen	2021.09.23								
					X.XX ±0.25	CHECK	Jack	2021.09.23					SIZE	A4	PART NO.	62F5-MXXXXXS4075C0X
AO		NEW			X.XXX ±0.15	APPROVE	Andy	2021.09.23					SHEET	2/2	TITLE:	电源+信号连接器 公头 带定位柱
REV	DATE	MODIFICATION DESCRIPTION	CHANGE	APPROVE	Angle ±3°	DIM.	TOL	UNIT	mm	SCALE	1:1	PROJ.		DRAW NO.	SP-629	

客户图

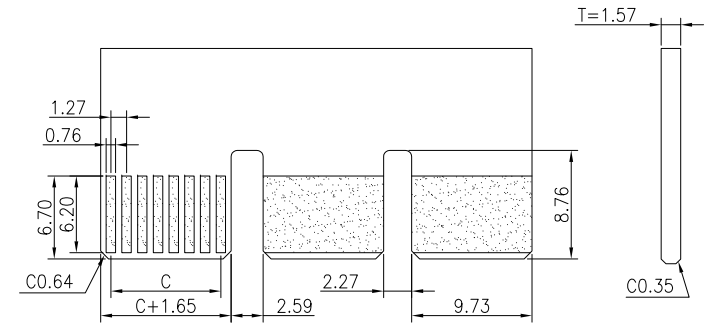
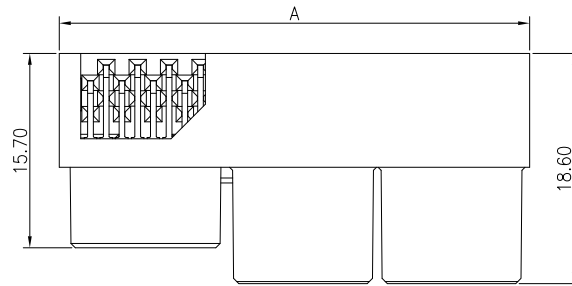
NOTES:

1. FINISH:
 - 1.1 HOUSING: LCP BLACK,UL94V-0.
 - 1.2 SIGNAL CONTACT: BARSS.
 - 1.3 POWER CONTACT: COPPER ALLOY.
GOLD (SEE P/N) PLATED IN CONTACT AREA,
MATTE TIN PLATED IN SOLDER AREA,
50u" MIN. NICKEL UNDERPLATED OVERALL.
2. ELECTRICAL:
 - 2.1 OPERATION TEMPERATURE:-55°C TO +125°C.
3. ORDER INFORMATION:

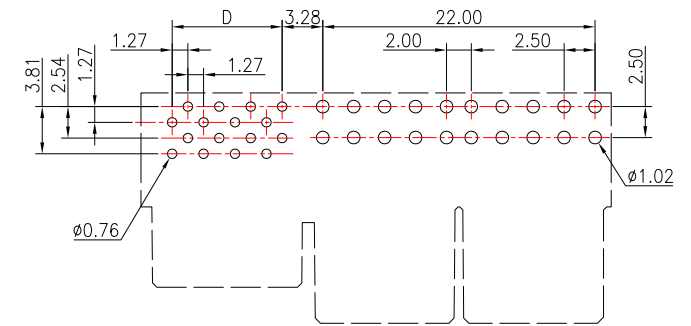
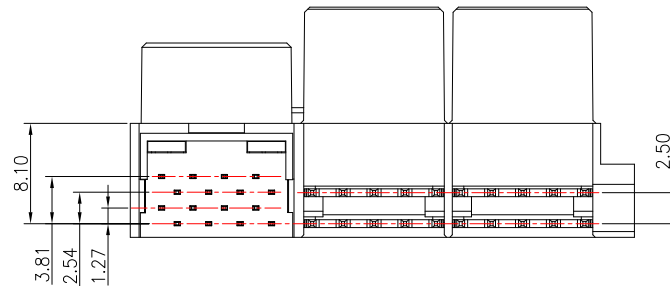
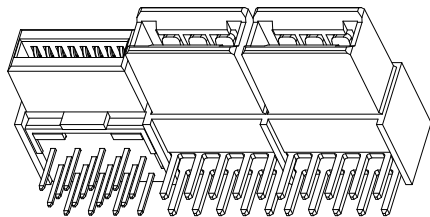
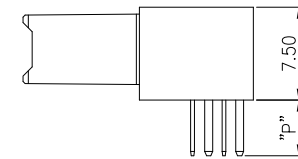
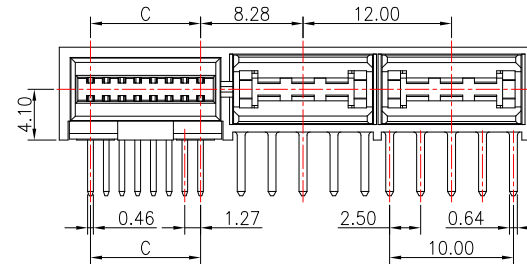
62F5-F XX XXX S4 075 C 5X

流水码:	51=2.90("P")			
电源Pin数	信号Pin数	端子电镀:	塑胶高度:	52=3.60("P")
02=2*1PIN	012=2*06PIN	S4=10u" Gold/Tin	075=7.50mm	53=4.50("P")
~	~	S6=30u" Gold/Tin		
14=2*7PIN	040=2*20PIN			

流水码	"P" 焊脚长度	PCB 厚度
51	2.90	1.57
52	3.60	2.36
53	4.50	3.18



RECOMMENDED EDGE CARD LAYOUT
EDGE CARD THICKNESS:1.57±0.15



RECOMMENDED PCB LAYOUT
PCB BOARD TOLERANCE±0.05

OPERATION		DRAW	WLY	2021.09.23	
X.X	±0.40	DESIGN	Jensen	2021.09.23	
X.XX	±0.25	CHECK	Jack	2021.09.23	
X.XXX	±0.15	APPROVE	Andy	2021.09.23	
Angle	±3°	UNIT	mm	SCALE	1:1
DIM.	TOL				

SOLEPIN 东莞市硕品电子有限公司
Professional connector manufacturer DONGGUAN SOLEPIN ELECTRONICS CO., LTD.

REV	DATE	MODIFICATION DESCRIPTION	CHANGE	APPROVE
AO		NEW		

SIZE	A4	PART NO.	62F5-FXXXXXS4075C5X	
SHEET	1/2	TITLE:	电源+信号连接器 母座	
PROJ.	⊕	DRAW NO.	SP-627	

客户图

No. OF PIN	02=2*1 POWER PIN	
	A	B
012=2x06PIN	23.46	6.35
016=2x08PIN	26.00	8.89
020=2x10PIN	28.54	11.43
024=2x12PIN	31.08	13.97
028=2x14PIN	33.62	16.51
032=2x16PIN	36.16	19.05
036=2x18PIN	38.70	21.59
040=2x20PIN	41.24	24.13

02=2*2 POWER PIN	
A	B
35.46	6.35
38.00	8.89
40.54	11.43
43.08	13.97
45.62	16.51
48.16	19.05
50.70	21.59
53.24	24.13

02=2*3 POWER PIN	
	B
47.46	6.35
50.00	8.89
52.54	11.43
55.08	13.97
57.62	16.51
60.16	19.05
62.70	21.59
65.24	24.13

02=2*4 POWER PIN	
A	B
59.46	6.35
62.00	8.89
64.54	11.43
67.08	13.97
69.62	16.51
72.16	19.05
74.70	21.59
77.24	24.13

No. OF PIN	02=2*5 POWER PIN	
	A	B
012=2x06PIN	71.46	6.35
016=2x08PIN	74.00	8.89
020=2x10PIN	76.54	11.43
024=2x12PIN	79.08	13.97
028=2x14PIN	81.62	16.51
032=2x16PIN	84.16	19.05
036=2x18PIN	86.70	21.59
040=2x20PIN	89.24	24.13

02=2*6 POWER PIN	
A	B
83.46	6.35
86.00	8.89
88.54	11.43
91.08	13.97
93.62	16.51
96.16	19.05
98.70	21.59
101.24	24.13

02=2*7 POWER PIN	
A	B
95.46	6.35
98.00	8.89
100.54	11.43
103.08	13.97
105.62	16.51
108.16	19.05
110.70	21.59
113.24	24.13

					OPERATION	DRAW	WLY	2021.09.23	SOLEPIN 东莞市硕品电子有限公司 Professional connector manufacturer DONGGUAN SOLEPIN ELECTRONICS CO., LTD.							
					X.X ±0.40	DESIGN	Jensen	2021.09.23								
					X.XX ±0.25	CHECK	Jack	2021.09.23					SIZE	A4	PART NO.	62F5-FXXXXXS4075C5X
AO		NEW			X.XXX ±0.15	APPROVE	Andy	2021.09.23					SHEET	2/2	TITLE:	电源+信号连接器 母座
REV	DATE	MODIFICATION DESCRIPTION	CHANGE	APPROVE	Angle ±3°	DIM.	TOL	UNIT	mm	SCALE	1:1	PROJ.		DRAW NO.	SP-627	

