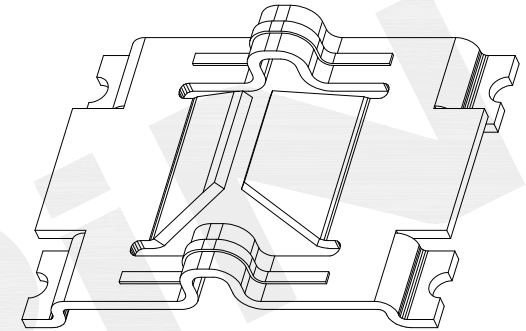
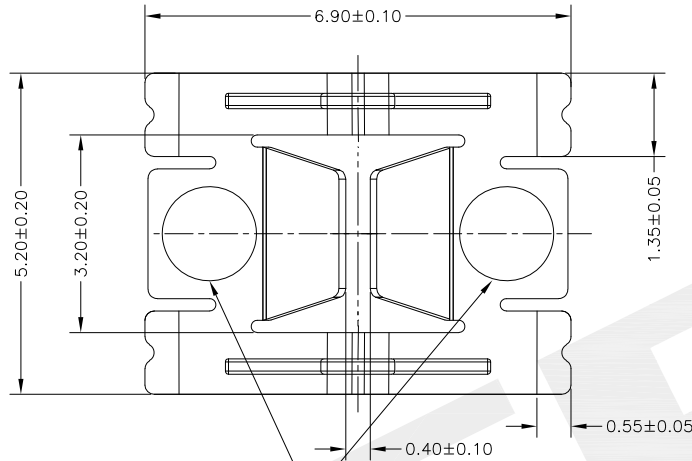


Material:

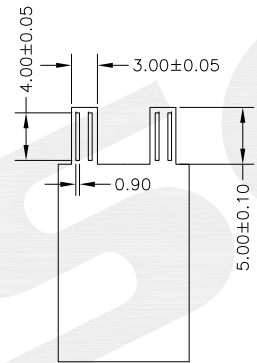
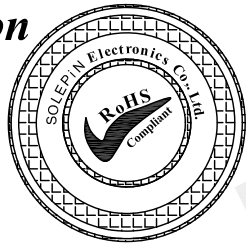
Voltage rating:275V.AC/DC
 Current rating:1A/3A
 Contact resistance:≤60mΩ
 Insulation resistance:≥100MΩ
 Withstanding voltage:500V.AC/1min
 Durability:≥100 Mating cycles
 Temperature range: -25℃-105℃



Ordering Information

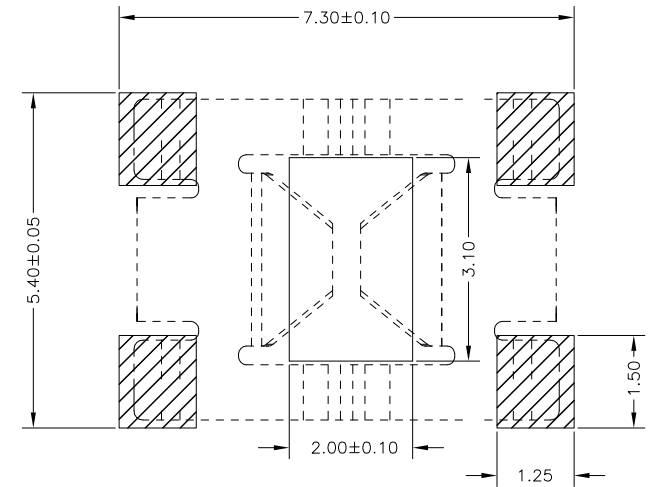
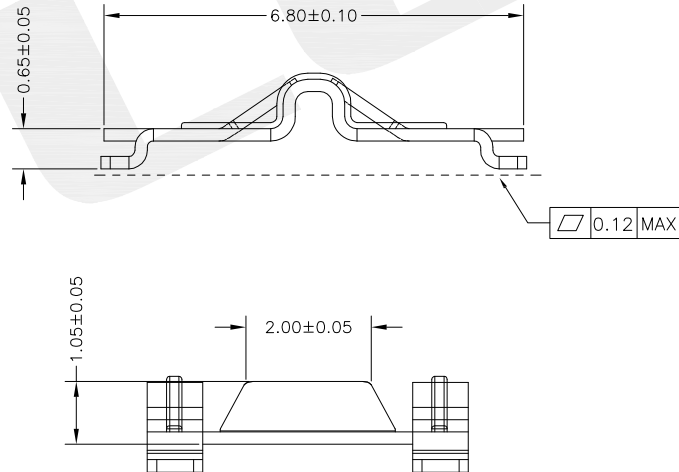
1003 - 04 M SN 01

Angle options
M=SMT Contact plating
SN=TIN



P.C.B金手指建议尺寸

贴片机吸嘴吸附位置



Recommended P.C.B Layout (Top Side)
(PCB BOARD TOLERANCE±0.05)

						OPERATION	DRAW	Alhen Zhang	2017/11/16	SCALE	2.5:1	SOLEPIN 东莞市硕品电子有限公司	
						X.X	±0.40			UNIT	mm	DONGGUAN SOLEPIN ELECTRONICS CO., LTD. Specializing in the production of connectors and wiring harness products. HTTP://WWW.SOLEPIN.COM E-MAIL:SALES@SOLEPIN.COM TEL:0769-83003805 FAX:0769-83003036	
						X.XX	±0.25			SIZE	A4	PART NO.	1003-04MSN01
						X.XXX	±0.15			SHEET	1/1	TITLE:	LED Connectors
A1	2017/11/16		NEW			Angle	± 3'			PROJ.	Customer NO.	SOLEPIN005-001	
REV	DATE		MODIFICATION DESCRIPTION	CHANGE	APPROVE	DIM	TOL	APPROVE					