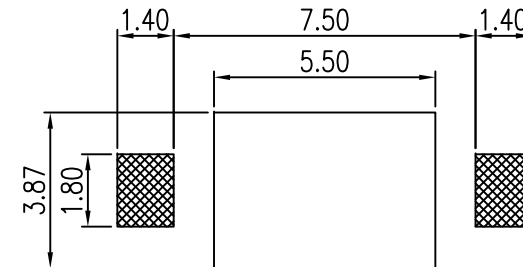
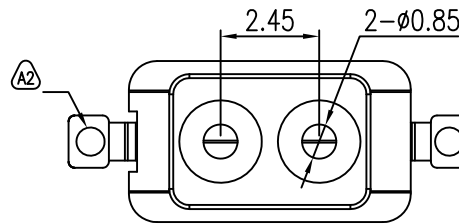
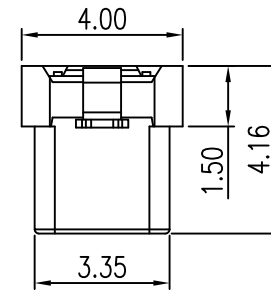
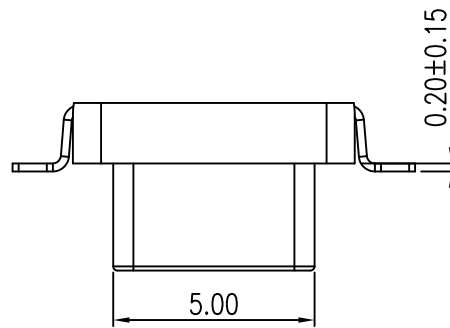
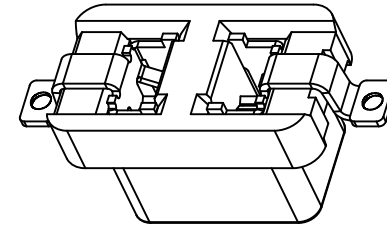
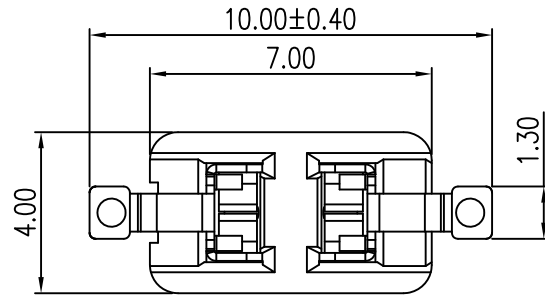


# 客户图

NOTES:  
 CONTACT MATERIAL:PHOSPHOR BRONZE  
 INSULATION MATERIAL:LCP UL94V-0  
 LIFTING PULL:3KG  
 CURRENT RATIONG:1A  
 INSULATION RESISTANCE:100MΩ MIN  
 DIELECTRIC WITHSTANDING:500V AC/DC  
 CONTACT RESISTANCE:20mΩ MAX  
 REFLOW:270°C/3MINUTES  
 OPERATING TEMPERATURE:-40°C~+125°C

PART NO:  
 1008-F02M SN 01

SN:TIN



PCB LAYOUT

REV	DATE	MODIFICATION DESCRIPTION	CHANGE	APPROVE	OPERATION	DRAW	WLY	DATE	SOLEPIN 东莞市硕品电子有限公司 Professional connector manufacturer DONGGUAN SOLEPIN ELECTRONICS CO., LTD.			
A2	2021.03.17	改善焊锡, 焊脚增加圆孔	WLY		X.X ±0.40	DESIGN	Jensen	2021.03.17	SIZE	A4	PART NO.	1008-F02MSN01
A1	2021.01.14	焊脚增加缺口	WLY		X.XX ±0.25	CHECK	Jack	2021.03.17	SHEET	1/1	TITLE:	LED 2PIN CONNECTOR 圆孔
AO		NEW			X.XXX ±0.15	APPROVE	Andy	2021.03.17	PROJ.	☞	DRAW NO.	SP-326
					Angle ±3°				UNIT	mm	SCALE	1:1
					DIM. TOL							