

客户图

1. 材料与电镀

- 1.1 塑胶主体: LCP UL94V-0.
- 1.2 端子: C5191-EH, 接触区镀锡见料号选项.

2. 电气特性:

- 2.1 额定电流: 1.0A.
- 2.2 耐电压: 交流电500V, 1分钟.
- 2.3 接触阻抗: 最大20毫欧.
- 2.4 绝缘阻抗: 最小100兆欧.
- 2.5 操作温度: -40°C~+105°C.

3. 所接受的电线类型和尺寸

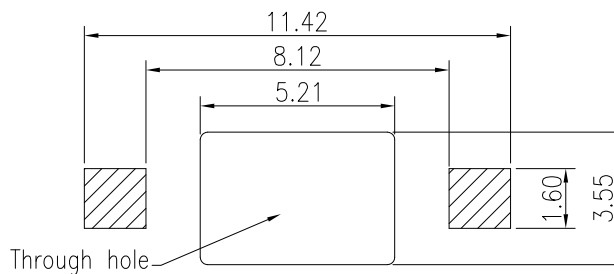
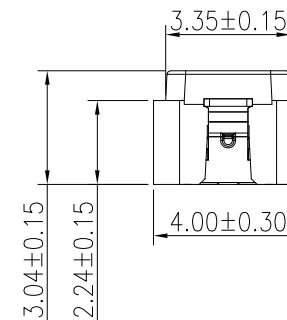
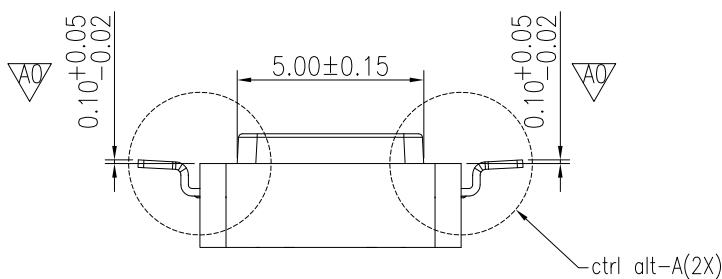
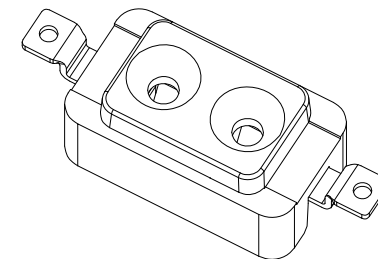
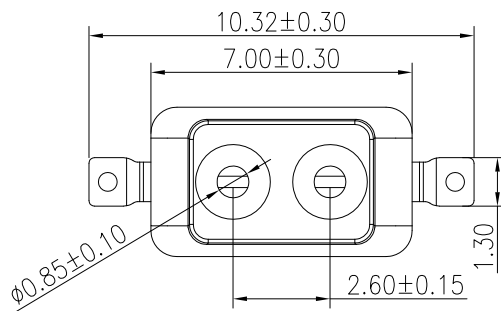
线范围: 单芯铜线直径0.45-0.6mm (±0.05)
剥线长度: 3.5-4.5mm.

No.	DESCRIPTION	MATERIAL	COLOR	REMARK
1	HOUSING	HIGH TEMP	Natural	UL94V-0
2	TERMINAL	COPPER ALLOY	—	TIN

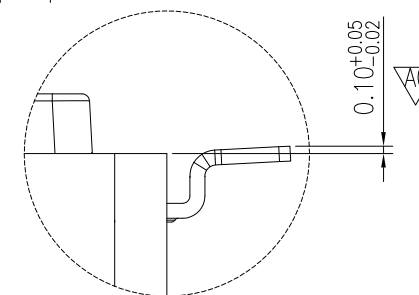
Ordering Information

1050D - 02 M SN 01

SN: 镀锡



RECOMMENDED PCB LAYOUT



A-A (1:2)

REV	DATE	MODIFICATION DESCRIPTION	CHANGE	APPROVE	OPERATION		DRAW	WLY	DATE	SOLEPIN 东莞市硕品电子有限公司			
					DIM.	TOL				Professional connector manufacturer DONGGUAN SOLEPIN ELECTRONICS CO., LTD.			
AO	2020/05/08	Increase the control	Chilles	Daiven	X.X	±0.40	DESIGN	Jensen	2020.08.01	SIZE	A4	PART NO.	1050D-02MSN01
AO	2019/12/22	NEW	—	—	X.XX	±0.25	CHECK	Jack	2020.08.01	SHEET	1/1	TITLE:	2.6mm LED Connector 短款
					Angle	±3°	APPROVE	Andy	2020.08.01	PROJ.	☉	DRAW NO.	SP-375
							UNIT	mm	SCALE	1:1			