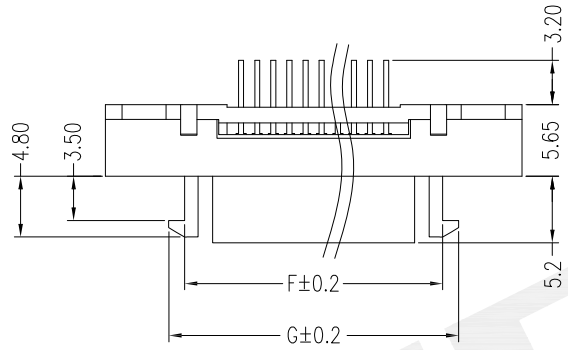
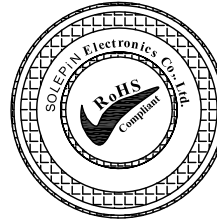
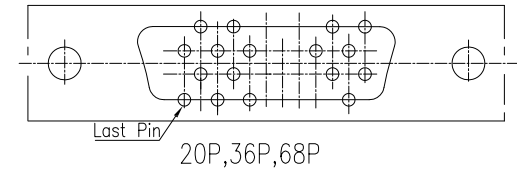
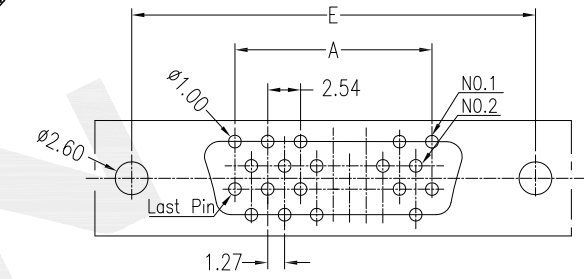


NOTES:
 Current Rating: 0.5AMP
 Contact Resistance: 80mΩ Max
 Withstand Voltage: 500V AC/DC
 Insulation Resistance: 500MΩ Min
 Operation Temperature: -55 to +85

Contact Material: Phosphor Bronze
 Contact plating: Au Or Sn over Ni
 Insulator Material: PBT UL94V-0
 Shell: Zinc Alloy



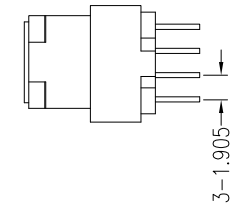
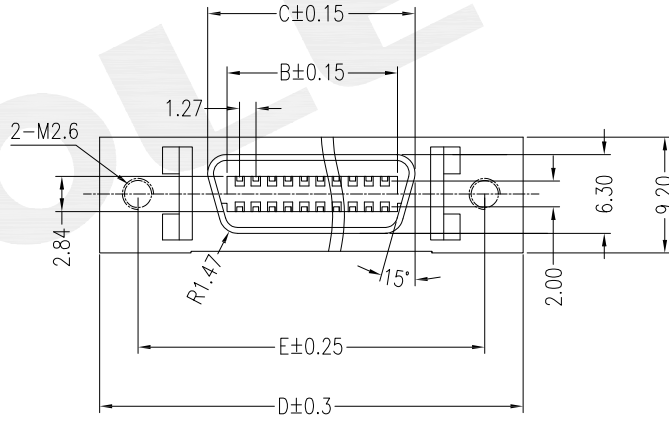
Recommended P.C.B Layout(Top Side)
 (PCB BOARD TOLERANCE±0.05)



Ordering Information

8600-S XX XX X XX 01

- No. of pins: 14P, 20P, 26P, 36P, 50P
- Contact Plating: G0=Gold Flash, G1=1u" Gold, G3=5u" Gold, G5=10u" Gold, S0=Gold Flash/Tin, S1=1u" Gold/Tin, S3=5u" Gold/Tin, S5=10u" Gold/Tin
- Plastic color: B=Black, W=White, G=Gray
- Insulator: A=PBT, B=PA6T, C=PA9T



No. of Pin	DIM						
	A	B	C	D	E	F	G
14	7.62	9.52	12.6	29.51	23.64	17.25	19.58
20	10.16	13.1	16.43	33.32	27.45	21.06	23.39
26	15.24	17.1	20.24	37.13	31.26	24.76	27.2
36	20.32	23.4	26.5	43.48	37.61	31.11	33.55
50	30.48	32.29	35.39	52.37	46.5	40.0	42.44

				OPERATION	DRAW	Alhen Zhang	2015/06/01	SCALE	2.5:1	SOLEPIN 东莞市硕品电子有限公司		
				X.X	±0.40	DESIGN		UNIT	mm	DONGGUAN SOLEPIN ELECTRONICS CO., LTD. <small>Specializing in the production of connectors and wiring harness products. HTTP://WWW.SOLEPIN.COM E-MALLSALES@SOLEPIN.COM TEL:0769-83003805 FAX:0769-83003036</small>		
				X.XX	±0.25			SIZE	A4	PART NO.	8600-SXXXXXXX01	
				X.XXX	±0.15			CHECK		TITLE:	SCSI Female 180°DIP	
A1	2015/06/01	NEW		Angle	± 3'	APPROVE		SHEET	1/1	Customer NO.	SOLEPIN12-101	
REV	DATE	MODIFICATION DESCRIPTION		DIM	TOL			PROJ.				